



## Features

### **Smaller Footprint**

Saber King® Mini is 40% narrower and lighter weight than Saber King®

### **Modular Color-Coded Blade Cartridges**

Modular blade sets offer maximum slicing capabilities eliminating additional slicing equipment

### **Easy to Clean**

All-in-one design safely minimize cleaning time to one piece of equipment and blade cartridge

### **Integrated Handles**

Integrated handles safely give operators a firm grip way from the blades during operation and cleaning

### **Anti-Slip Rubber Base**

Anti-Slip rubber feet help stabilize equipment limiting movement during operation

### **Blue Guided Touch Points and Safeguard Latch**

Blue color-coded touch points and dual action safeguard latch help protect operators from blades when slicing

### **Patented Blade Protectors**

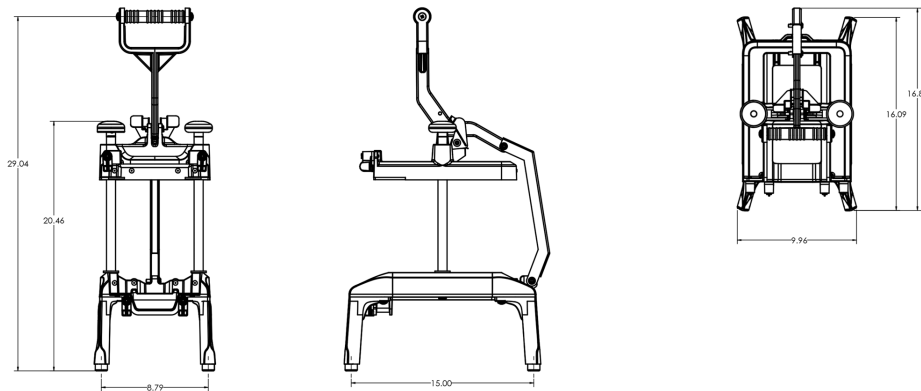
Patented blade protectors and housing keep sharp blades contained and operators safe

### **Cast Aluminum Construction**

Sturdy cast aluminum construction

### **Warranty**

1-Year parts and labor (Not including blade/pusher cartridge) Blade/Pusher cartridge warranted to be free of defects at the time of delivery



## Technical Specification

<b>Product Category</b>	Slicers
<b>Product Dimensions</b>	18.79"W x 20.46"H x 15"D (Closed) 18.79"W x 29.04"H x 15"D (Open)
<b>Weight</b>	Unit: 18 lbs (8.2 kg) Shipping: 21 lbs (9.5 kg)
<b>Exterior Construction</b>	Aluminum construction with anti-slip rubber base
<b>Warranty</b>	1-Year: Parts & Labor <i>Blade/Pusher cartridge warranted to be free of defects at the time of delivery.</i>
<b>Accessories</b>	Saber King Cleaning Kit, Cleaning Brush, Storage Hook, Saber King Onion Pusher Cleaning Tool Kit
<b>Agency Listing</b>	ETL/Intertek Conforms to ANSI/NSF 7 Conforms to ANSI/UL STD 471 Certified o CAN/CSA STD C22.2 No.120

## Model Numbers

Model Number	Description
<b>981-000-00</b>	Saber King Mini® Chassis

## Accessories

Model Number	Description
<b>980-000-02</b>	Saber King Cleaning Kit
<b>980-000-06</b>	Saber King Onion Pusher Cleaning Tool Kit
<b>980-043</b>	Saber King Brush (white/white)
<b>980-310</b>	Saber King Blade Storage Hook

## Blade Cartridges

Model Number	Description	Model Number	Description
<b>981-000-12A</b>	1/4" Tomato Set (2 Tomatoes)	<b>981-000-60A</b>	Wedger Set (4 Section)
<b>981-000-12B</b>	1/4" Tomato Replacement Blade (2 Tomatoes)	<b>981-000-60B</b>	Wedger Replacement Blade (4 Section)
<b>981-000-12C</b>	1/4" Tomato Pusher Head (2cTomatoes)	<b>981-000-60C</b>	Wedger Pusher Head (4 Section)
<b>981-000-20A</b>	3/16" Universal Set	<b>981-000-61A</b>	Wedger Set (6 Section)
<b>981-000-20B</b>	3/16" Universal Replacement Blade	<b>981-000-61B</b>	Wedger Replacement Blade (6 Section)
<b>981-000-20C</b>	3/16" Universal Pusher Head	<b>981-000-61C</b>	Wedger Pusher Head (6 Section)
<b>981-000-50A</b>	1/4" Dicer Set	<b>981-000-62A</b>	Wedger Set (8 Section)
<b>981-000-50B</b>	1/4" Dicer Replacement Blade	<b>981-000-62B</b>	Wedger Replacement Blade (8 Section)
<b>981-000-50C</b>	1/4" Dicer Pusher Head Set	<b>981-000-62C</b>	Wedger Pusher Head (8 Section)
<b>981-000-51A</b>	3/8" Dicer Set	<b>981-000-65A</b>	Wedger Set (Halfer)
<b>981-000-51B</b>	3/8" Dicer Replacement Blade	<b>981-000-65B</b>	Wedger Replacement Blade (Halfer)
<b>981-000-51C</b>	3/8" Dicer Pusher Head	<b>981-000-65C</b>	Wedger Pusher Head (Halfer)
<b>981-000-52A</b>	1/2" Dicer Set		
<b>981-000-52B</b>	1/2" Dicer Replacement Blade		
<b>981-000-52C</b>	1/2" Dicer Pusher Head		

*Note: All Model Numbers listed as "Set" include a Replacement Blade and Pusher Head for the Saber King Mini*

To learn more and see **Saber King** in action, visit [princecastle.com/products/saber-king/](http://princecastle.com/products/saber-king/)  
To contact a Saber King expert today, go to [princecastle.com/contact-us/](http://princecastle.com/contact-us/)