

Features

Modular Color-Coded Blade Cartridges

Modular blade sets offer maximum slicing capabilities eliminating additional slicing equipment

Easy to Clean

All-in-one design safely minimize cleaning time to one piece of equipment and blade cartridge

Integrated Handles

Integrated handles safely give operators a firm grip away from the blades during operation and cleaning

Full Size Pan Capacity

Large landing zone fits full size pans minimizing food contamination

Anti-Slip Rubber Base

Anti-Slip rubber feet help stabilize equipment limiting movement during operation

Blue Guided Touch Points and Safeguard Latch

Blue color-coded touch points and dual action safeguard latch help protect operators from blades when slicing

Patented Blade Protectors

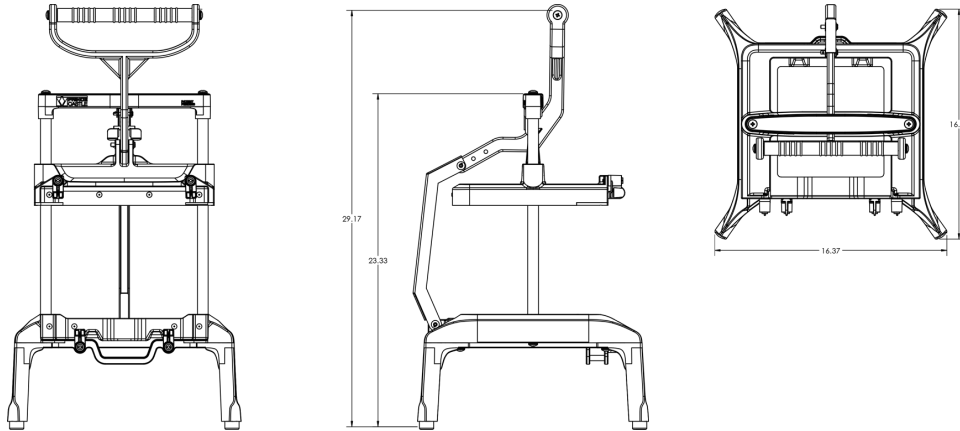
Patented blade protectors and housing keep sharp blades contained and operators safe

Cast Aluminum Construction

Sturdy cast aluminum construction

Warranty

1-Year parts and labor (Not including blade/pusher cartridge) Blade/Pusher cartridge warranted to be free of defects at the time of delivery



Technical Specifications

Product Category	Slicers
Product Dimensions	16.4"W x 23.3"H x 16.2"D (Closed) 16.4"W x 29.2"H x 16.2"D (Open)
Weight	Unit: 18lbs (8.2 kg) Shipping: 21lbs (9.5 kg)
Exterior Construction	Aluminum construction with anti-slip rubber base
Warranty	1-Year: Parts & Labor <i>Blade/Pusher cartridge warranted to be free of defects at the time of delivery.</i>
Accessories	Saber King Cleaning Kit, Cleaning Brush, Storage Hook, Saber King Onion Pusher Cleaning Tool Kit
Agency Listing	ETL/Intertek Conforms to ANSI/NSF 7 Conforms to ANSI/UL STD 471 Certified to CAN/CSA STD C22.2 No.120

Model Numbers

Model Number	Description
980-000-00	Saber King Chassis

Accessories

Model Number	Description
980-000-02	Saber King Cleaning Kit
980-000-06	Saber King Onion Pusher Cleaning Tool Kit
980-043	Saber King Brush (white/white)
980-310	Saber King Blade Storage Hook

Blade Cartridges

Model Number	Description	Model Number	Description	Model Number	Description
980-000-10A	3/16" Tomato Set (4 Tomatoes)	980-000-33A	2"x1" Lettuce Chop Set (Full Head)	980-000-60A	Wedge Set (4 Section)
980-000-10B	3/16" Tomato Replacement Blade (4 Tomatoes)	980-000-33B	2"x1" Lettuce Chop Replacement Blade (Full Head)	980-000-60B	Wedge Replacement Blade (4 Section)
980-000-10C	3/16" Tomato Pusher Head (4 Tomatoes)	980-000-33C	2"x1" Lettuce Chop Pusher (Full Head)	980-000-60C	Wedge Pusher Head (4 Section)
980-000-12A	1/4" Tomato Set (4 Tomatoes)	980-000-44A	5/16" Lettuce Shredder Set	980-000-61A	Wedge Set (6 Section)
980-000-12B	1/4" Tomato Replacement Blade (4 Tomatoes)	980-000-44B	5/16" Lettuce Shredder Replacement Blade	980-000-61B	Wedge Replacement Blade (6 Section)
980-000-12C	1/4" Tomato Pusher Head (4 Tomatoes)	980-000-44C	5/16" Lettuce Shredder Pusher Head	980-000-61C	Wedge Pusher Head (6 Section)
980-000-20A	3/16" Universal Set	980-000-50A	1/4" Dicer Set	980-000-62A	Wedge Set (8 Section)
980-000-20B	3/16" Universal Replacement Blade	980-000-50B	1/4" Dicer Replacement Blade	980-000-62B	Wedge Replacement Blade (8 Section)
980-000-20C	3/16" Universal Pusher Head	980-000-50C	1/4" Dicer Pusher Head Set	980-000-62C	Wedge Pusher Head (8 Section)
980-000-22A	1/4" Universal Set	980-000-51A	3/8" Dicer Set	980-000-65A	Wedge Set (Halfer)
980-000-22B	1/4" Universal Replacement Blade	980-000-51B	3/8" Dicer Replacement Blade	980-000-65B	Wedge Replacement Blade (Halfer)
980-000-22C	1/4" Universal Pusher Head	980-000-51C	3/8" Dicer Pusher Head	980-000-65C	Wedge Pusher Head (Halfer)
980-000-32A	1"x1" Lettuce Chop Set (Full Head)	980-000-52A	1/2" Dicer Set		
980-000-32B	1"x1" Lettuce Chop Replacement Blade (Full Head)	980-000-52B	1/2" Dicer Replacement Blade		
980-000-32C	1"x1" Lettuce Chop Pusher (Full Head)	980-000-52C	1/2" Dicer Pusher Head		

Note: All Model Numbers listed as "Set" include a Replacement Blade and Pusher Head for the Saber King

To learn more and see **Saber King** in action, visit princecastle.com/products/saber-king/
To contact a Saber King expert today, go to princecastle.com/contact-us/